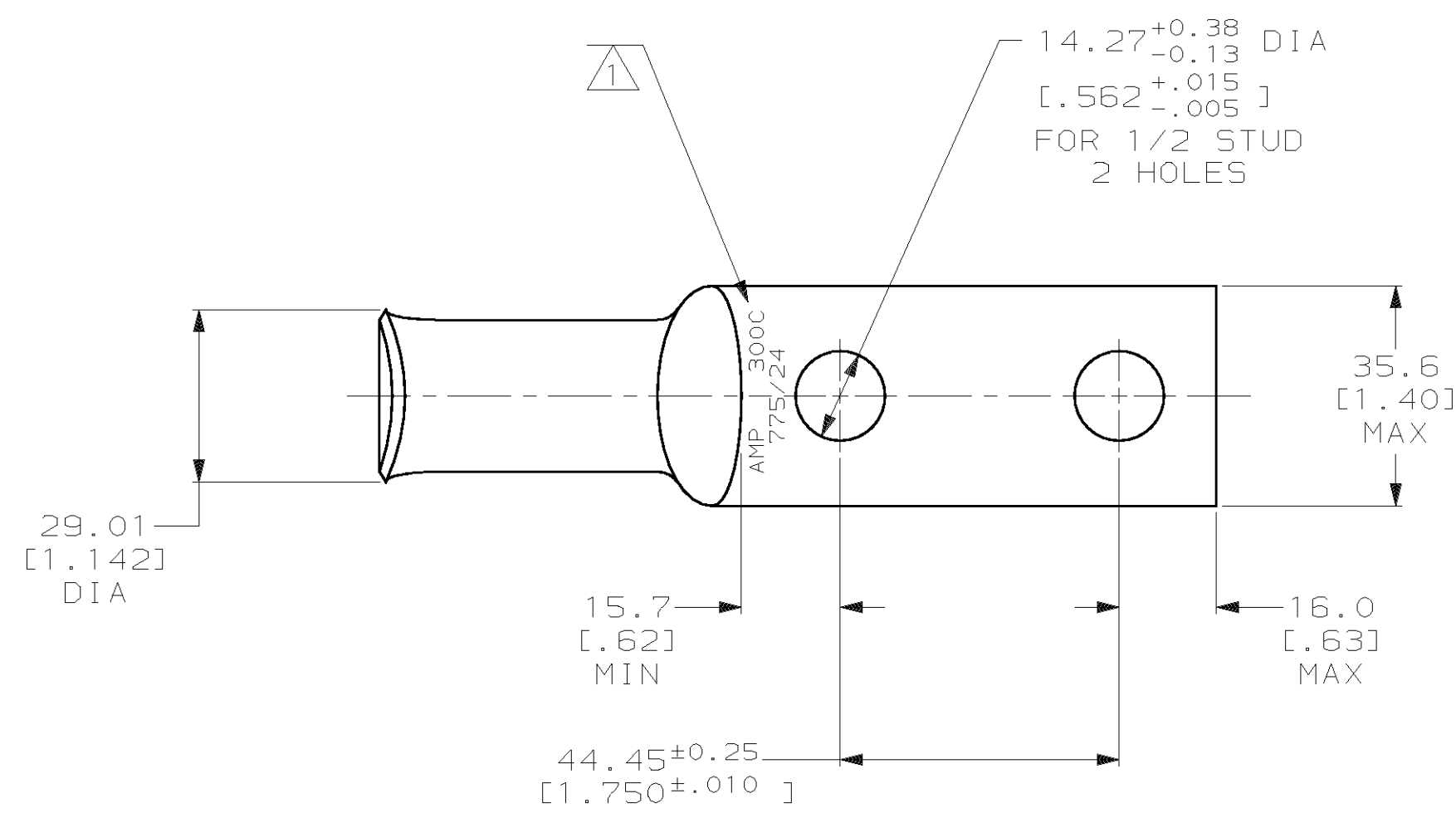


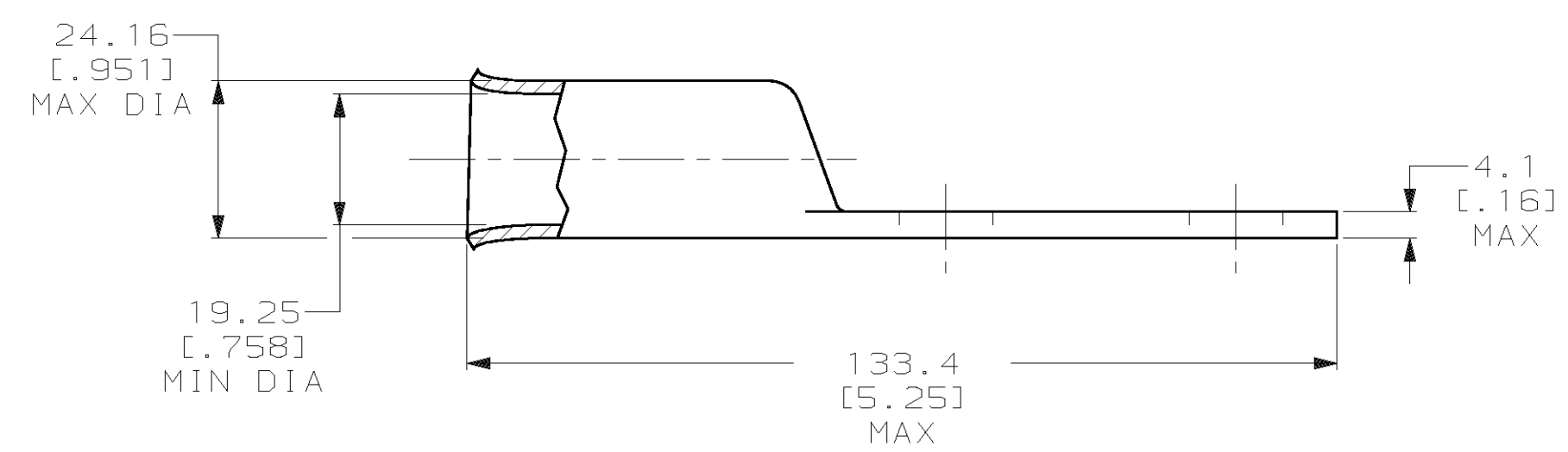
THIS DRAWING IS UNPUBLISHED. RELEASED FOR PUBLICATION ,19 .
 © COPYRIGHT 19 BY AMP INCORPORATED. ALL INTERNATIONAL RIGHTS RESERVED.

LOC	DIST	P	F	ZONE	LTR	DESCRIPTION	DATE	APPD
G	86					E REV PER 0G3A-0561-01	030CT02	JR/MS

METRIC
 DIMENSIONS LISTED IN mm [INCHES]



① STAMP AMP 300C 775/24 APPROX AS SHOWN



53684

53684-2
 PART NO

**AMP INCORPORATED
 CUSTOMER SERVICE SYSTEMS**

MAX RECOMMENDED OPERATING TEMPERATURE:
 170°C MAX

DO NOT SCALE PRINT. UNLESS SPECIFIED DIMENSIONS IN mm [INCHES] TOLERANCES ON :
 2 PLC DEC ± -
 3 PLC DEC ± -
 ANGLES ± -

DR 130CT94 DK SCHRUM
 CHK 130CT94 AJ KAUFMAN
 APPD 130CT94 RE ROSER

AMP AMP Incorporated
 Harrisburg, PA 17105-3608

FOR ADDITIONAL PRODUCT INFORMATION OR COPIES OF DRAWINGS AND TECHNICAL DOCUMENTS

PRODUCT INFORMATION CENTER
 1-800-522-6752

VOLTAGE RATING:
 NOT APPLICABLE

MATERIAL
 COPPER PER ASTM B-75 ANNEALED

APPD 130CT94 JL MECKLEY
 PRODUCT SPEC
 108-30200

NAME
**TERMINAL, AMPOWER,
 WIRE SIZE: 300 MCM**

FOR APPLICATION TOOLING INFORMATION

TOOLING ASSISTANCE CENTER
 1-800-722-1111

CIRCULAR MIL RANGE:
 139.3-164.7mm² [275,000-325,000] CIR MILS
 SOLID OR STRANDED

FINISH
 TIN PLATE
 0.00381 [0.00150] MIN THK PER MIL-T-10727

APPLICATION SPEC
 -

SIZE CAGE CODE DRAWING NO
 C 00779 C=53684

FOR ORDER ENTRY

1-800-526-5142

THIS DRAWING IS A CONTROLLED DOCUMENT FOR AMP INCORPORATED. IT IS SUBJECT TO CHANGE AND THE CONTROLLING ENGINEERING ORGANIZATION SHOULD BE CONTACTED FOR THE LATEST REVISION.

WEIGHT .324 LBS

SCALE 1:1

SHEET SHEET 1 OF 1